



FAN INSTALLATION GUIDE

FAN SIZE ?

Room Size

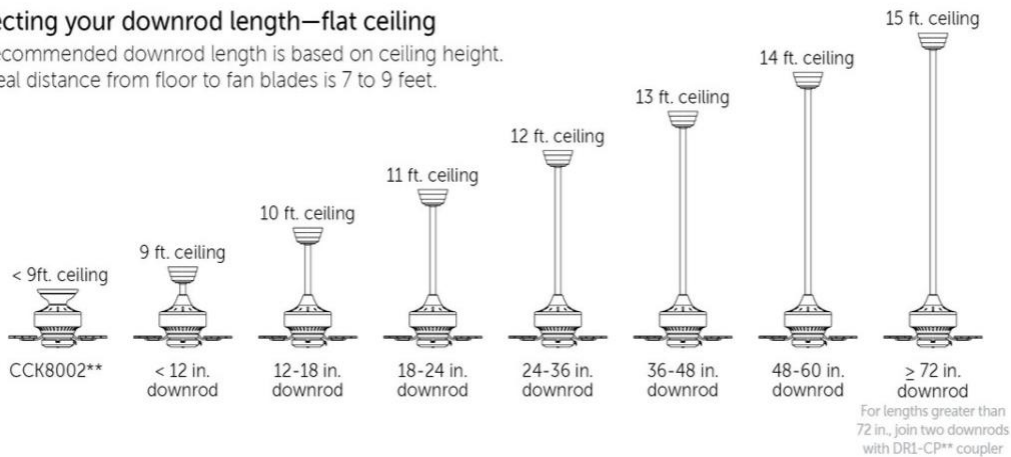
These measurements are for general air flow requirements only. Decorating plans or aesthetic considerations should influence your fan choices beyond these room size specifications. For very large rooms, multiple fans is an option.

Blade Sweep	26"-42"	44"	52"-54"	60"-72"
Approximate Room Size	6' x 8' 40-60 sq. ft.	8' x 10' 70-90 sq. ft.	10' x 12' 100-150 sq. ft.	12' x 15' (Great Room) Over 160 sq. ft.

ROD SIZE ?

Selecting your downrod length—flat ceiling

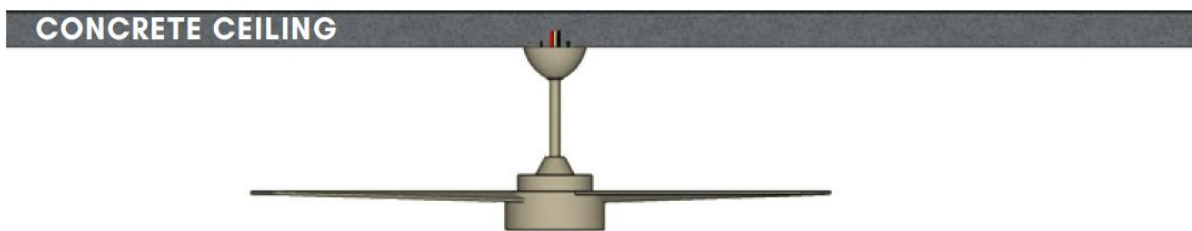
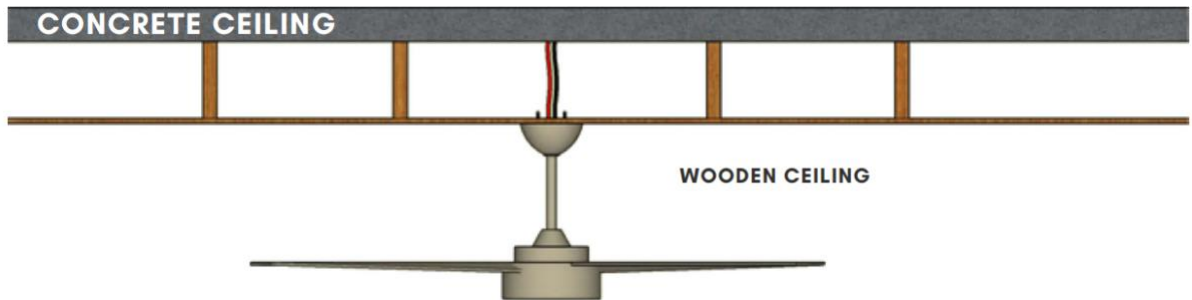
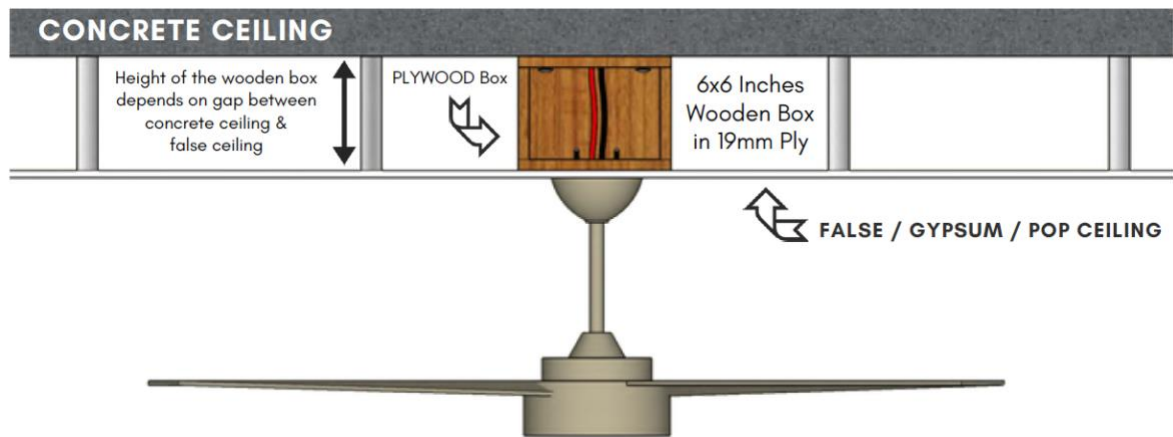
Recommended downrod length is based on ceiling height.
Ideal distance from floor to fan blades is 7 to 9 feet.





FAN INSTALLATION GUIDE

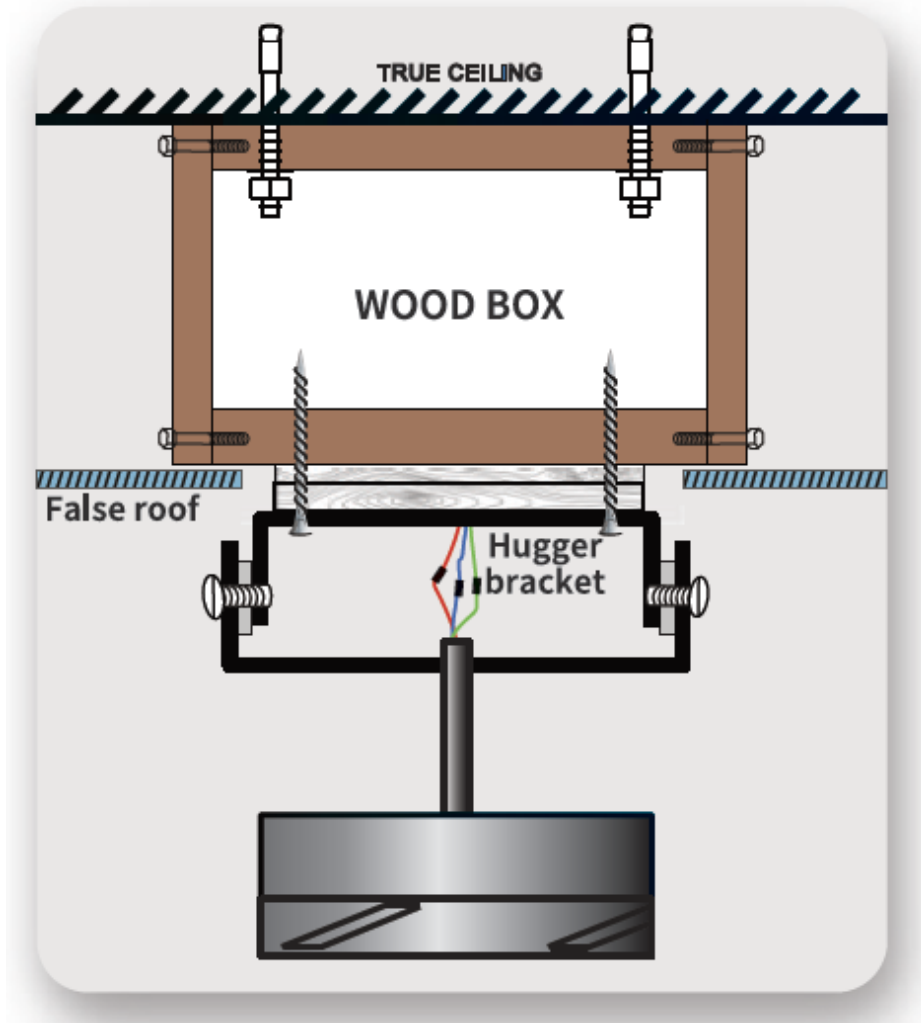
CEILING FAN INSTALLATION





FAN INSTALLATION GUIDE

HUGGER FAN INSTALLATION



Thank you,

For any queries, please call +91-9940280415.